



STŘECHY | SOLAR | ŘEMESLO

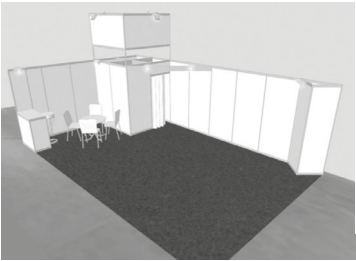
12.-14. 2. 2026

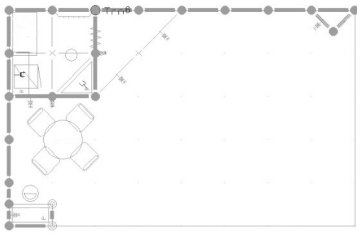
PVA EXPO PRAGUE

## Special Offer Equipped Stands 2026

**Attention!** The price **does not include** electricity and water supply and **does not include** the fee for the rented area!

**Stand S1 – corner 5 × 8 m** **1450 EUR**





- Walls and background (2 x 2 m)
- Eye-catcher with desk 2 x graphics not included in the price, can only be towards the booth)
- Carpet optional colour 5 x 8 m
- Folding doors, lockable
- Info desk, top plate white
- Bar stool
- Table Ø 75 cm

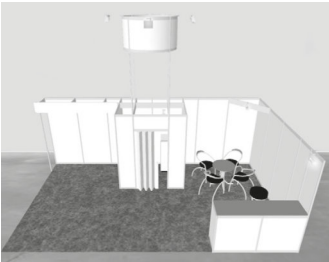
- Chair 4 x
- Refrigerator
- Storage shelf
- Coat rack
- Garbage bin
- HQI light 7x

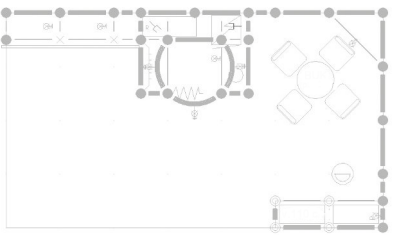
Yes, we are ordering this booth type

Company

<input style="width: 95%; height: 20px;" type="text" value="Contact person"/>	<input style="width: 95%; height: 20px;" type="text" value="Phone"/>
<input style="width: 45%; height: 20px;" type="text" value="E-mail"/>	<input style="width: 45%; height: 20px;" type="text" value="Carpet color"/>

**Stand S2 – corner 4 × 7 m** **1370 EUR**





- Walls and background (2 x 1,5 m)
- Eye-catcher, height 5 m
- Collar 2,5 m
- Carpet optional colour 4 x 7 m
- Folding doors, lockable
- Information desk 200 x 50 cm, height 102 cm
- Table, Ø 75 cm
- Chair 4 x

- Bar stool
- Refrigerator
- Storage shelf
- Coat rack
- Garbage bin
- Spot light 5 x
- Halogen eye-catcher light 3 x

Yes, we are ordering this booth type

Company

<input style="width: 95%; height: 20px;" type="text" value="Contact person"/>	<input style="width: 95%; height: 20px;" type="text" value="Phone"/>
<input style="width: 45%; height: 20px;" type="text" value="E-mail"/>	<input style="width: 45%; height: 20px;" type="text" value="Carpet color"/>

All prices do not include sale tax / VAT

### Custom-made stand

We can offer stand construction tailored precisely to your requirements.